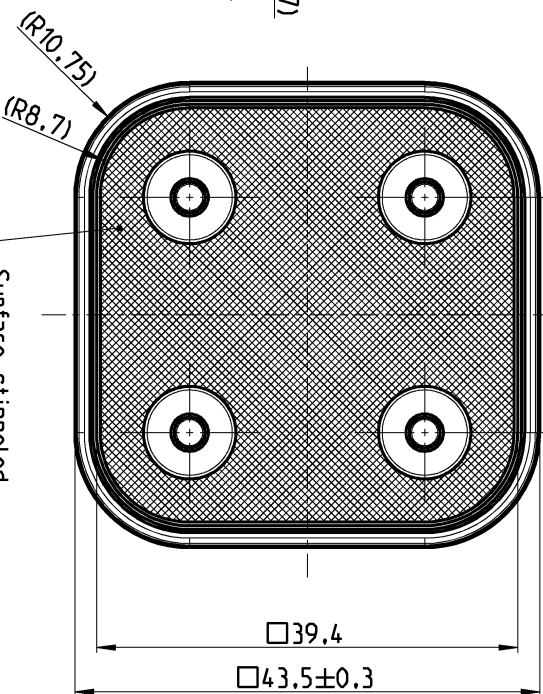
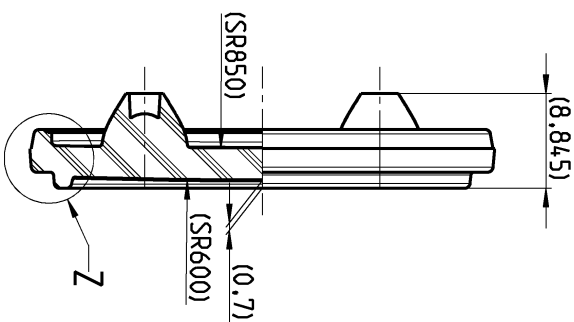
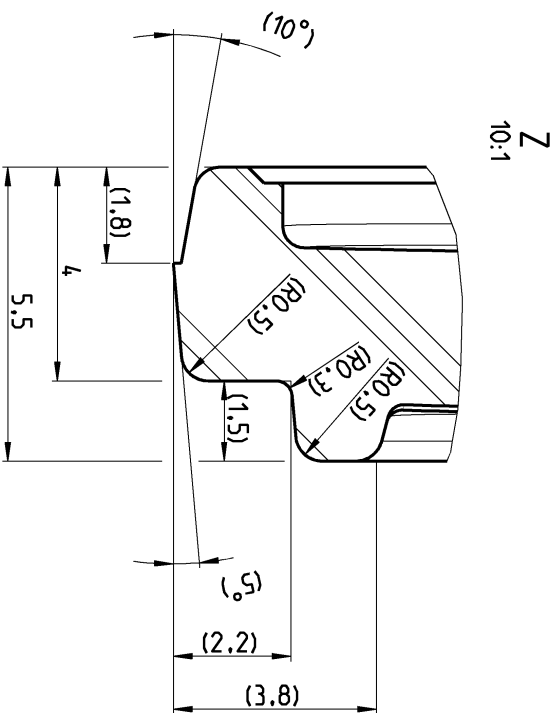


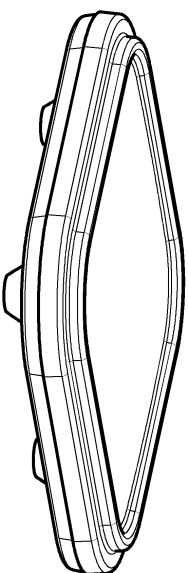
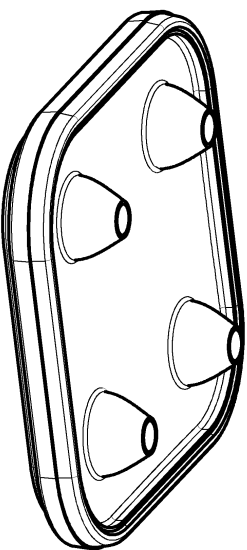
Surface stippled



Surface stippled



Z
10:1



- Quality checked
- Constructional dimension
- Dimension for information only

Tolerances unless otherwise specified are $\pm 1\%$, but minimum $\pm 0,5$ mm

Quad TIR Array

Scale	2:1 (10:1)	Material	SUPRAX 6488
Date	22-Mar-13	Name	Günter
Formed	22-Mar-13	Günter	
Checked	22-Mar-13		

Final part number (SAP) 147 5643

Drawing number 71460_000_000_403

Auer Standard



Auer Lighting GmbH
Hilfensbergstraße 35
D-37581 Bad Gandersheim
Tel.: 0519 005282 / 701-0
www.auer-lighting.com

This drawing is our property. Multiplying and sending copies to third parties is prohibited, bound to claim for damages and prosecution. Copyright law, law against unfair competition, etc. All rights reserved for patent application (P) and/or registered design (S) and/or.