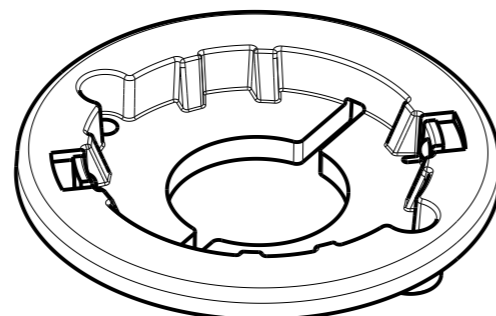




1:1



1:1

Missing dimensions and shapes  
acc. to math data file  
71370-36\_054\_001\_323

Scale		Material		Tolerances unless otherwise specified are $\pm 1\%$ , but minimum $\pm$ mm	
2:1 (1:1)		e. g. PC			
Date		Name		Fixation Ring Size 36 for Reflector Lens Jupiter 70	
04-Mar-16		Günter			
Checked		25-Apr-16		Final part number (SAP)	
		Auer Lighting GmbH Hildesheimersstrasse 35 D-37581 Bad Gandersheim Tel: +049 (0)5382 / 701-0 www.auer-lighting.com		Drawing number 71370-36_054_001_323	
		Version Project 01 71370-36		Illustrative model  <b>A3</b>	
This drawing is our property. Multigraphing and sending copies to third parties is punishable, bound to claim for damages and prosecution. (Copyright law, law against unfair competition, BGB). All rights reserved for patent application (§7 PG) or registered design (§5 GMG).					