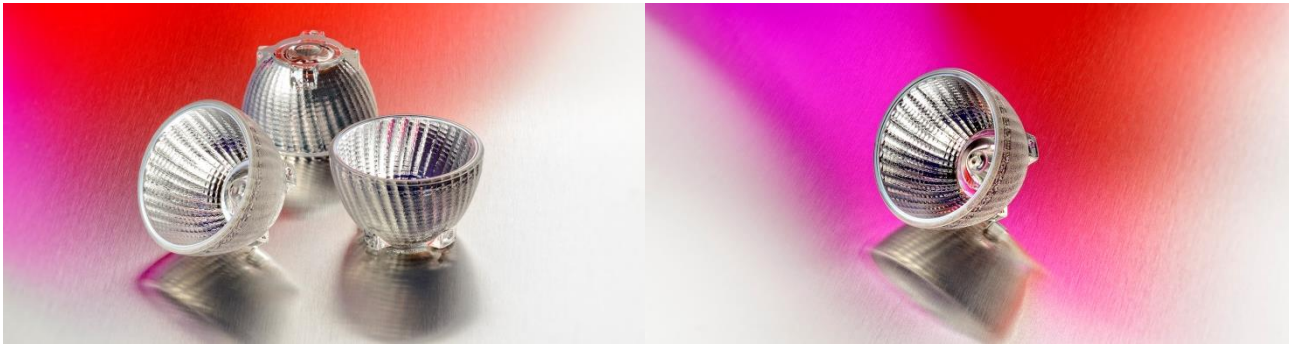


## LED REFLECTOR LENS “JUPITER 50 - Narrow”



**Material number:** 1501951

**Glass:** SUPRAX® 8488  
Borosilicate Glass

**Coating:** dichroic

**Dimension:** 50 mm

**Height:** 30 mm

**Packing unit:** 1 pc

**Weight:** 31 g

**Operating temperature:** up to 400°C

### Optics:

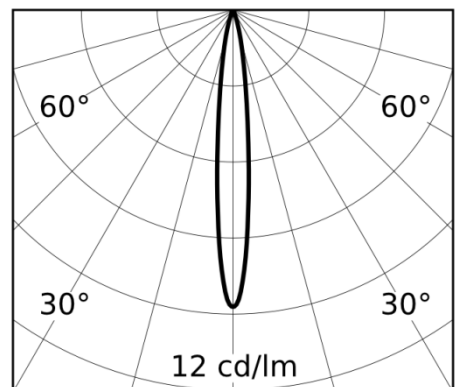
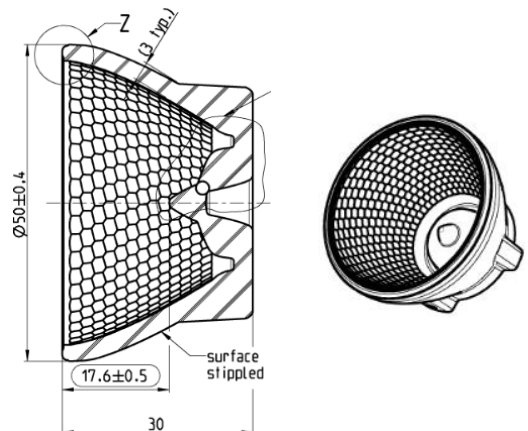
**Beam Angle:** 13°

**Field Angle:** 30°

**CBCP:** 9,8 cd/lm

**LES:** 6 mm

**LEDs:** e.g. Osram, Cree, Nichia, Bridgelux, Citizen



**Customs tariff number:** 70140000