

LED REFLECTOR LENS “JUPITER 70 – Medium”



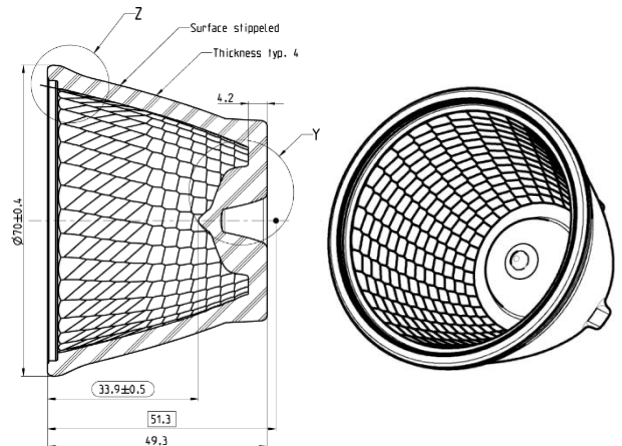
Material number: 1501194

Glass: SUPRAX® 8488
Borosilicate Glass

Coating: dichroic

Dimension: 70 mm

Height: 50 mm



Packing unit: 1 pc

Weight: 92 g

Operating temperature: up to 400°C

Optics:

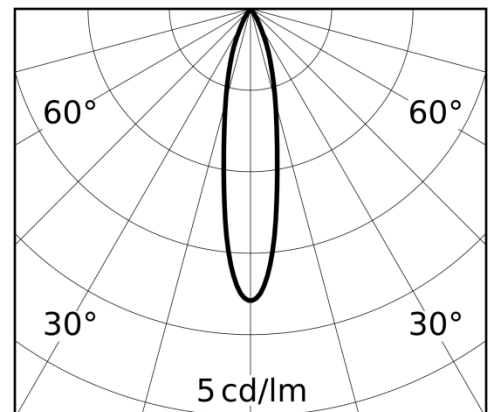
Beam Angle: 21°

Field Angle: 51°

CBCP: 3.7 cd/lm

LES: 9 mm

LEDs: e.g. Nichia, Cree, OSRAM, Bridgelux, Citizen, Philips, Seoul



Customs tariff number: 70140000