

## LED REFLECTOR LENS “JUPITER 70 – Narrow”



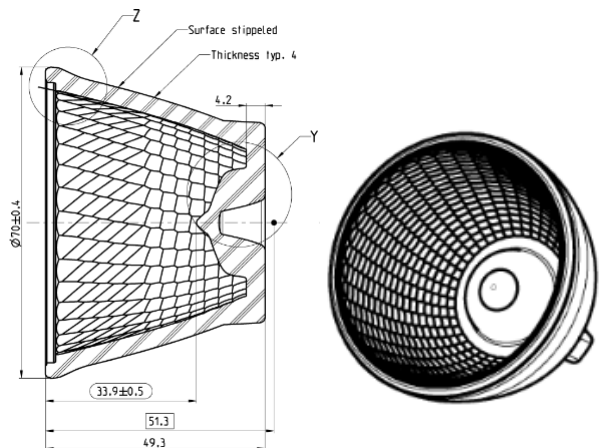
**Material number:** 1501192

**Glass:** SUPRAX® 8488  
 Borosilicate Glass

**Coating:** dichroic

**Dimension:** 70 mm

**Height:** 50 mm



**Packing unit:** 1 pc

**Weight:** 92 g

**Operating temperature:** up to 400°C

### Optics:

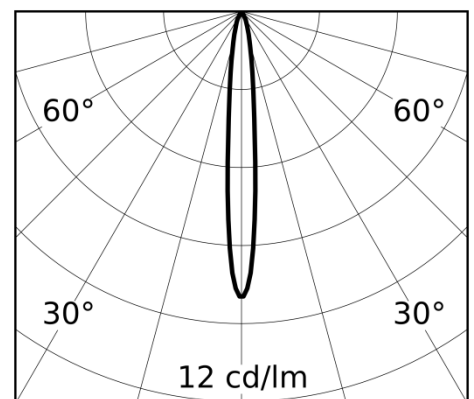
**Beam Angle:** 13°

**Field Angle:** 38°

**CBCP:** 8,8 cd/lm

**LES:** 9 mm

**LEDs:** e.g. Bridgelux, Citizen, Cree, Nichia, Osram, Philips



**Customs tariff number:** 70140000