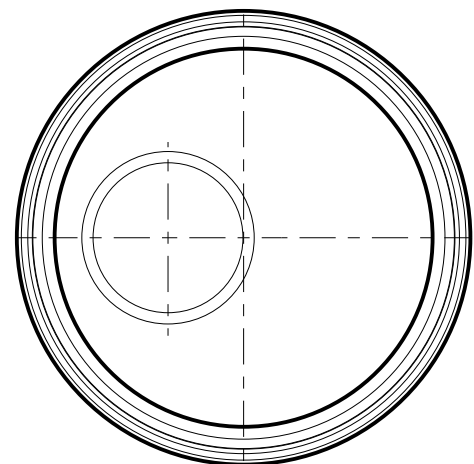
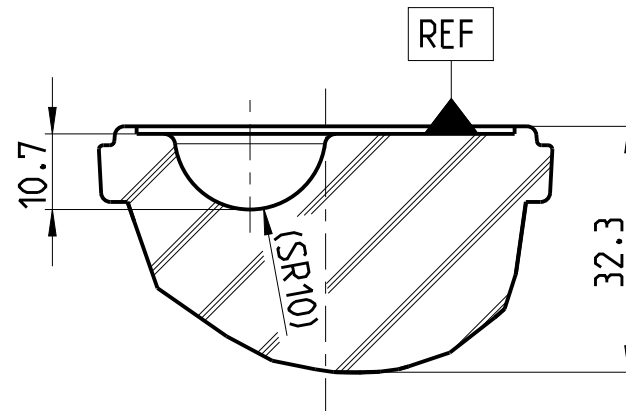
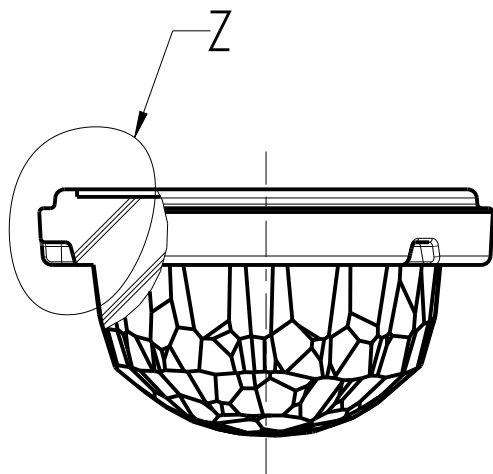
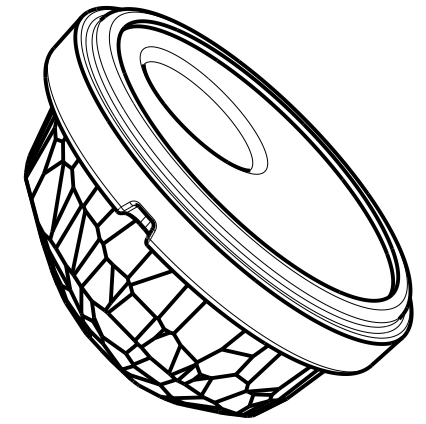
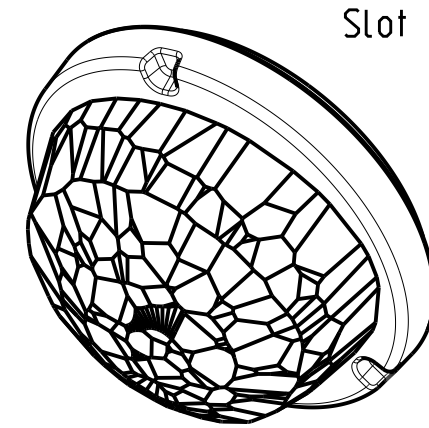
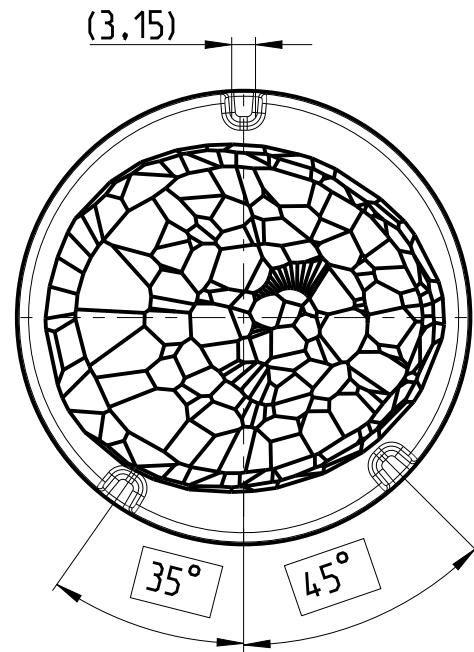




Z
2:1



Facetten mit Entformung $>2.5^\circ$

Ein- und Auskoppelfläche verändert	14-Jul-15	R.BECKER
Aenderung	Datum	Name

Scale	1:1 (2:1)	Material	SUPRAX®	117g	Tolerances unless otherwise specified are $\pm 1\%$, but minimum ± 0.5 mm
Formed	23-Jan-15	Date	Becker	Name	
Checked	14-Jul-15	Final part number (SAP)			150 0954
 Auer Lighting GmbH Hildesheimersstrasse 35 D-37581 Bad Gandersheim Tel: +049 (0)5382 / 701-0 www.auer-lighting.com				Drawing number	71030_000_006_602
				Version	06
AUER					
<small>This drawing is our property. Multigraphing and sending copies to third parties is punishable, bound to claim for damages and prosecution. (Copyright law, law against unfair competition, BGB). All rights reserved for patent application (§7 PG) or registered design (§5 GMG).</small>					